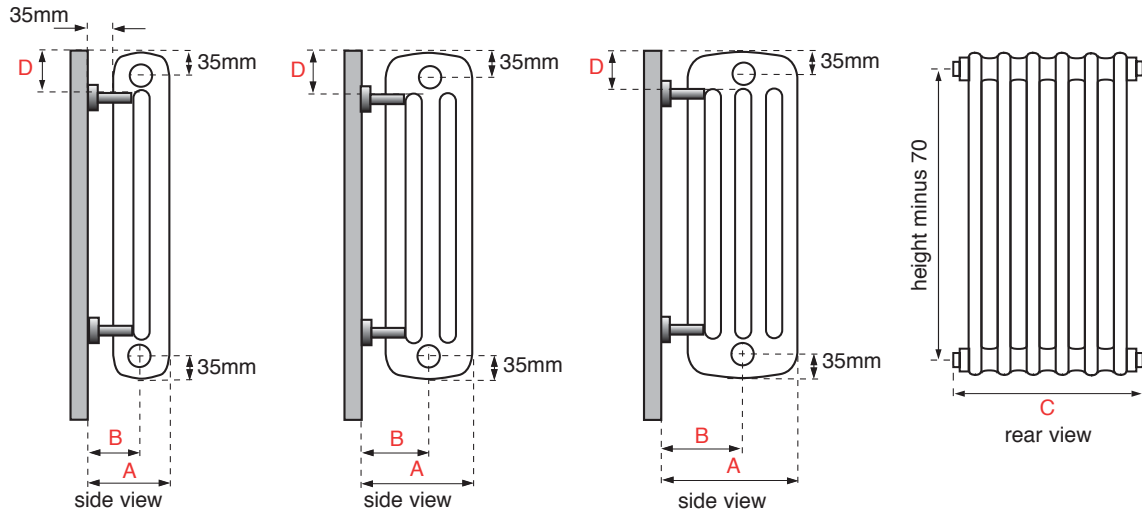


APOLLO roma horizontal technical specification



ROMA HORIZONTAL DIMENSIONS (mm)

MODEL			2 COLUMN	3 COLUMN	4 COLUMN
Width of radiator				(No. of sections x 46) + 30	
Section depth			66	107	148
Section width (tube + space)			46	46	46
Wall to front of rad		(A)	96	137	178
Wall to pipe centres	Side entry	(B)	63	84	104
	Bottom entry		N/A	N/A	N/A
Tapping centres	Side entry	(C)		Width of rad	
	Bottom entry		N/A	N/A	N/A
Pipe centres	Side entry			Width + valves	
	Bottom entry		N/A	N/A	N/A
Bracket positions	Top	(D)	70	70	70
	Bottom			Adjustable	

FLOOR MOUNTING (mm)

Feet (WVFS)	Add 65 to height
Feet (HPVFS & FBC)	Add 100 to height
Adjustable feet (FB)	Add 125 - 175 to height

2 COLUMN HORIZONTAL WEIGHTS AND VOLUMES (per section)

Model height mm	500	600	750
Dry weight (A) Kg	0.76	0.91	1.13
Water content (B) Litres	0.57	0.65	0.77
Working weight (A+B) Kg	1.33	1.56	1.90
Outputs: Watts $\Delta T=50k$	37	44	54

3 COLUMN HORIZONTAL WEIGHTS AND VOLUMES (per section)

Model height mm	300	400	500	600	750
Dry weight (A) Kg	0.85	1.08	1.29	1.51	1.83
Water content (B) Litres	0.60	0.72	0.83	0.95	1.13
Working weight (A+B) Kg	1.45	1.80	2.12	2.46	2.96
Outputs: Watts $\Delta T=50k$	32	42	51	61	75

4 COLUMN HORIZONTAL WEIGHTS AND VOLUMES (per section)

Model height mm	300	400	500	600	750
Dry weight (A) Kg	0.94	1.24	1.52	1.81	2.26
Water content (B) Litres	0.78	0.93	1.09	1.25	1.49
Working weight (A+B) Kg	1.72	2.17	2.61	3.06	3.75
Outputs: Watts $\Delta T=50k$	43	56	69	82	101

ADDITIONAL INFORMATION

Material	Steel
Steel tube diameter	25mm
Steel thickness	1.25mm
Maximum working pressure	10 bar/1000 kPa
Testing pressure	13 bar/1300 kPa
Maximum working temperature	95°C

The thermal outputs expressed at $\Delta T=50k$ comply with European regulation EN 442-2

TEMPERATURE

FACTORS FOR DIFFERENCES BETWEEN MEAN WATER TEMPERATURE AND ROOM TEMPERATURE IN °C AND °F OTHER THAN 50 °C (90 °F)

5 °C	0.050	10 °F	0.057
10 °C	0.123	20 °F	0.142
15 °C	0.209	30 °F	0.240
20 °C	0.304	40 °F	0.348
25 °C	0.406	50 °F	0.466
30 °C	0.515	60 °F	0.590
35 °C	0.629	70 °F	0.721
40 °C	0.748	80 °F	0.858
45 °C	0.872	90 °F	1.000
50 °C	1.000	100 °F	1.147
55 °C	1.132	110 °F	1.298
60 °C	1.267	120 °F	1.454
65 °C	1.406	130 °F	1.613
70 °C	1.549	140 °F	1.776
75 °C	1.694		

TO APPLY THE FACTORS SHOWN IN THE TABLE TO OUR QUOTED OUTPUTS. MULTIPLY THE QUOTED OUTPUT BY THE CHOSEN OPERATING FACTOR TO GIVE THE OUTPUT