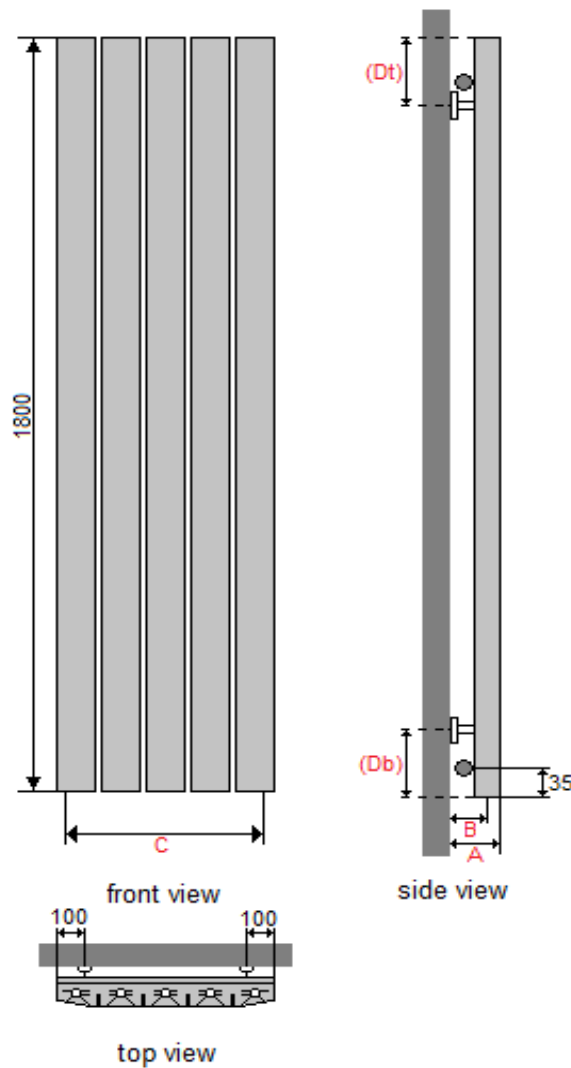


APOLLO malpensa curved vertical technical specification



MALPENSA CURVED VERTICAL DIMENSIONS (mm)			
MODEL HEIGHT			1800
Width of radiator			(No. of sections x 120) - 4
No. of sections		3	4
Section depth x width			46 x 116
Back wall to front of rad	(A)		84
Back wall to pipe centres	Side entry (B)		25
	Bottom entry		N/A
Tapping centres	Side entry (C)	330	450
	Bottom entry		N/A
Bracket positions	Top (Dt)		165
	Bottom (Db)		165
Tappings			1/2"

MALPENSA CURVED VERTICAL WEIGHTS AND VOLUMES (per radiator)					
Model Width (mm)		356	476	596	716
Dry Weight (A) Kg		9.69	12.92	16.15	19.38
Water content (B) Litres		2.70	3.60	4.50	5.40
Working weight (A+B) Kg		12.39	16.52	20.65	24.78
Outputs: Watts $\Delta T=50k$		955	1273	1591	1909

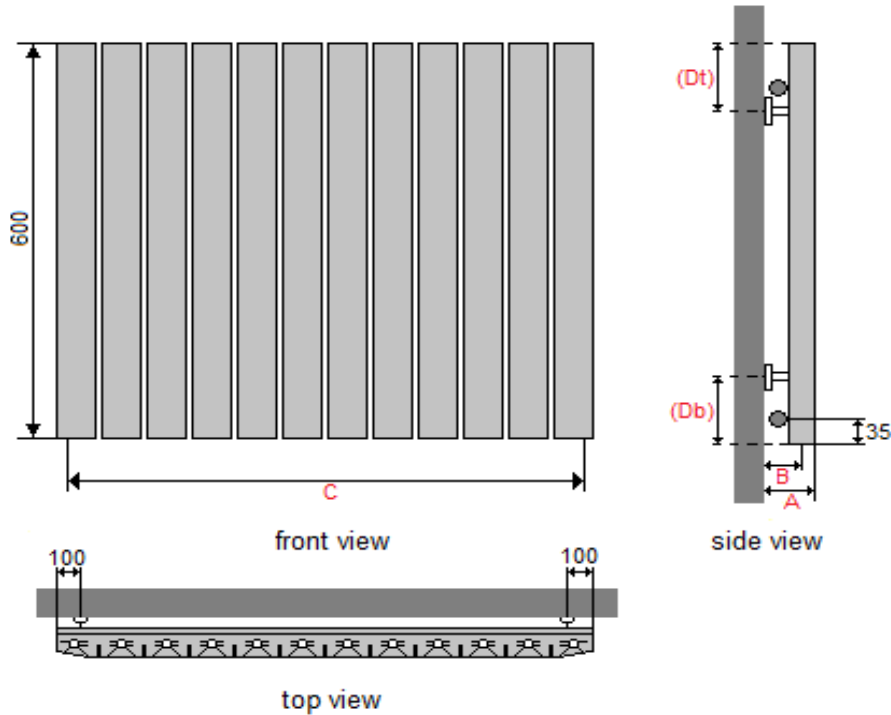
The thermal outputs expressed at $\Delta T=50k$ comply with European regulation EN 442-2

ADDITIONAL INFORMATION	
Material	Aluminium
Alloy thickness	1.5mm
Maximum working pressure	16 bar
Maximum working temperature	90°C

TEMPERATURE FACTORS FOR DIFFERENCES BETWEEN MEAN WATER TEMPERATURE AND ROOM TEMPERATURE IN °C AND °F OTHER THAN 50°C (90°F)			
5°C	0.050		
10°C	0.123	10°F	0.057
15°C	0.209	20°F	0.142
20°C	0.304	30°F	0.240
25°C	0.406	40°F	0.348
30°C	0.515	50°F	0.466
35°C	0.629	60°F	0.590
40°C	0.748	70°F	0.721
45°C	0.872	80°F	0.858
50°C	1.000	90°F	1.000
55°C	1.132	100°F	1.147
60°C	1.267	110°F	1.298
65°C	1.406	120°F	1.454
70°C	1.549	130°F	1.613
75°C	1.694	140°F	1.776

TO APPLY THE FACTORS SHOWN IN THE TABLE TO OUR QUOTED OUTPUTS MULTIPLY THE QUOTED OUTPUT BY THE CHOSEN OPERATING FACTOR TO GIVE THE OUTPUT

APOLLO malpensa curved horizontal technical specification



MALPENSA CURVED HORIZONTAL DIMENSIONS (mm)							
MODEL HEIGHT						600	
Actual width of radiator			(No. of sections x 120) - 4				
No. of sections			4	6	8	10	12
Section depth x width			46 x 116				
Back wall to front of rad		(A)	84				
Back wall to pipe centres	Side entry		25				
	Bottom entry	(B)	N/A				
Tapping centres	Side entry	(C)	450	690	930	1170	1410
	Bottom entry		N/A				
Bracket positions	Top	(Dt)	165				
	Bottom	(Db)	165				
Tappings			1/2"				

MALPENSA CURVED HORIZONTAL WEIGHTS AND VOLUMES (per radiator)						
Model Width (mm)		476	716	956	1196	1436
Dry Weight (A) Kg		4.28	6.42	8.56	10.70	12.84
Water content (B) Litres		1.40	2.20	2.90	3.60	4.30
Working weight (A+B) Kg		5.68	8.62	11.46	14.30	17.14
Outputs: Watts $\Delta T=50k$		524	787	1049	1311	1573

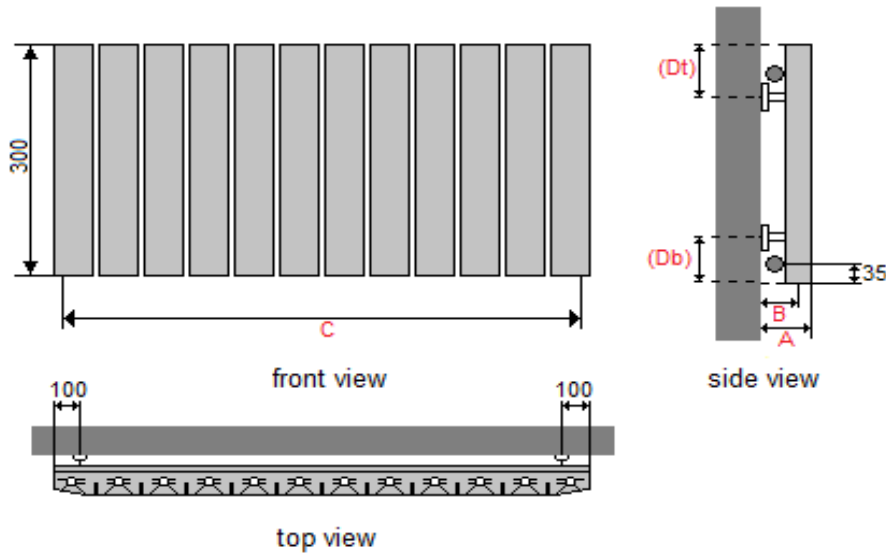
The thermal outputs expressed at $\Delta T=50k$ comply with European regulation EN 442-2

ADDITIONAL INFORMATION	
Material	Aluminium
Alloy thickness	1.5mm
Maximum working pressure	16 bar
Maximum working temperature	90°C

TEMPERATURE FACTORS FOR DIFFERENCES BETWEEN MEAN WATER TEMPERATURE AND ROOM TEMPERATURE IN °C AND °F OTHER THAN 50°C (90°F)			
5°C	0.050	10°F	0.057
10°C	0.123	20°F	0.142
15°C	0.209	30°F	0.240
20°C	0.304	40°F	0.348
25°C	0.406	50°F	0.466
30°C	0.515	60°F	0.590
35°C	0.629	70°F	0.721
40°C	0.748	80°F	0.858
45°C	0.872	90°F	1.000
50°C	1.000	100°F	1.147
55°C	1.132	110°F	1.298
60°C	1.267	120°F	1.454
65°C	1.406	130°F	1.613
70°C	1.549	140°F	1.776
75°C	1.694		

TO APPLY THE FACTORS SHOWN IN THE TABLE TO OUR QUOTED OUTPUTS MULTIPLY THE QUOTED OUTPUT BY THE CHOSEN OPERATING FACTOR TO GIVE THE OUTPUT

APOLLO malpensa curved low level technical specification



MALPENSA CURVED LOW LEVEL DIMENSIONS (mm)				
MODEL HEIGHT			300	
Actual width of radiator			(No. of sections x 120) - 4	
No. of sections			8	10
Section depth x width			46 x 116	
Back wall to front of rad		(A)	84	
Back wall to pipe centres	Side entry	(B)	25	
	Bottom entry		N/A	
Tapping centres	Side entry	(C)	930	1170
	Bottom entry		N/A	
Bracket positions	Top	(Dt)	85	
	Bottom	(Db)	85	
Tappings			1/2"	

TEMPERATURE FACTORS FOR DIFFERENCES BETWEEN MEAN WATER TEMPERATURE AND ROOM TEMPERATURE IN °C AND °F OTHER THAN 50°C (90°F)			
5°C	0.050	10°F	0.057
10°C	0.123	20°F	0.142
15°C	0.209	30°F	0.240
20°C	0.304	40°F	0.348
25°C	0.406	50°F	0.466
30°C	0.515	60°F	0.590
35°C	0.629	70°F	0.721
40°C	0.748	80°F	0.858
45°C	0.872	90°F	1.000
50°C	1.000	100°F	1.147
55°C	1.132	110°F	1.298
60°C	1.267	120°F	1.454
65°C	1.406	130°F	1.613
70°C	1.549	140°F	1.776
75°C	1.694		

MALPENSA CURVED LOW LEVEL WEIGHTS AND VOLUMES (per radiator)			
Model Width (mm)	956	1196	1436
Dry Weight (A) Kg	6.00	8.00	9.00
Water content (B) Litres	1.40	1.80	2.20
Working weight (A+B) Kg	7.40	9.80	11.20
Outputs: Watts ΔT=50k	632	790	948

The thermal outputs expressed at ΔT=50k comply with European regulation EN 442-2

ADDITIONAL INFORMATION	
Material	Aluminium
Alloy thickness	1.5mm
Maximum working pressure	16 bar
Maximum working temperature	90°C

TO APPLY THE FACTORS SHOWN IN THE TABLE TO OUR QUOTED OUTPUTS MULTIPLY THE QUOTED OUTPUT BY THE CHOSEN OPERATING FACTOR TO GIVE THE OUTPUT