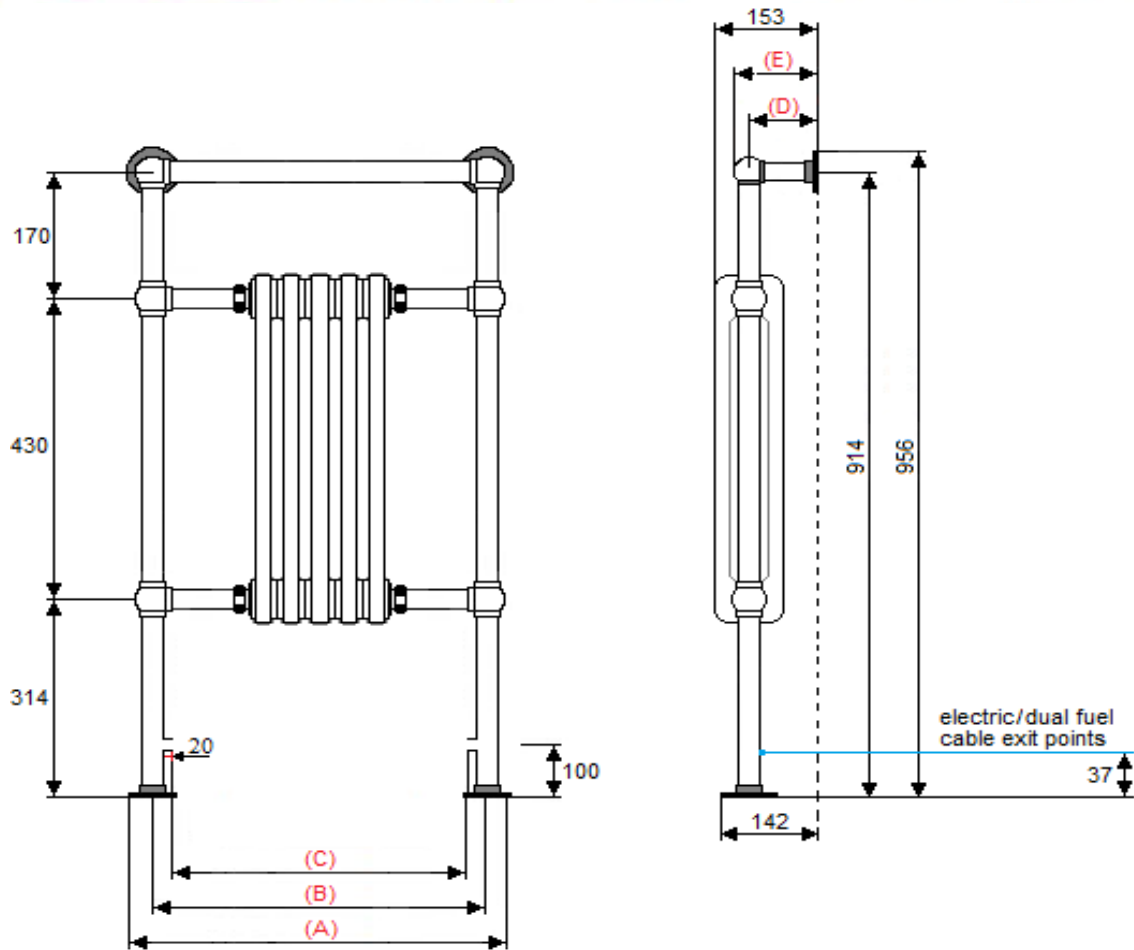


APOLLO ravenna plus SR technical specification



RAVENNA PLUS SR DIMENSIONS (mm)

Model code			SR4
Width of radiator		(A)	509
Model height			956
Pipe centres	Width	(B)	425
	Depth	(D)	100
Depth of rail		(E)	125
No. of sections (in insert)			5
Tapping centres	Inward	(C)	353
Bracket positions			wall/floor plates
Tappings			1/2"

RAVENNA PLUS SR WEIGHTS AND VOLUMES (per radiator)

Model height (mm)	956
Dry weight (A) Kg	11.19
Water content (B) Litres	6.11
Working weight (A+B) Kg	17.30
Outputs: Watts $\Delta T=50k$	630

The thermal outputs expressed at $\Delta T=50k$ comply with European regulation EN 442-2

ADDITIONAL INFORMATION

Material	Brass (DZR)
Alloy thickness	1 - 1.6mm
Tube diameter	31.8mm
Maximum working pressure	3 bar/300 kPa
Maximum working temperature	85°C
Maximum testing pressure	6 bar/600 kPa

DUAL FUEL/ELECTRIC INFORMATION (where applicable)

Position of cable exit point	Back of leg
Distance from floor to cable exit point	37mm
Element	300W

TEMPERATURE

FACTORS FOR DIFFERENCES BETWEEN MEAN WATER TEMPERATURE AND ROOM TEMPERATURE IN °C AND °F OTHER THAN 50°C (90°F)

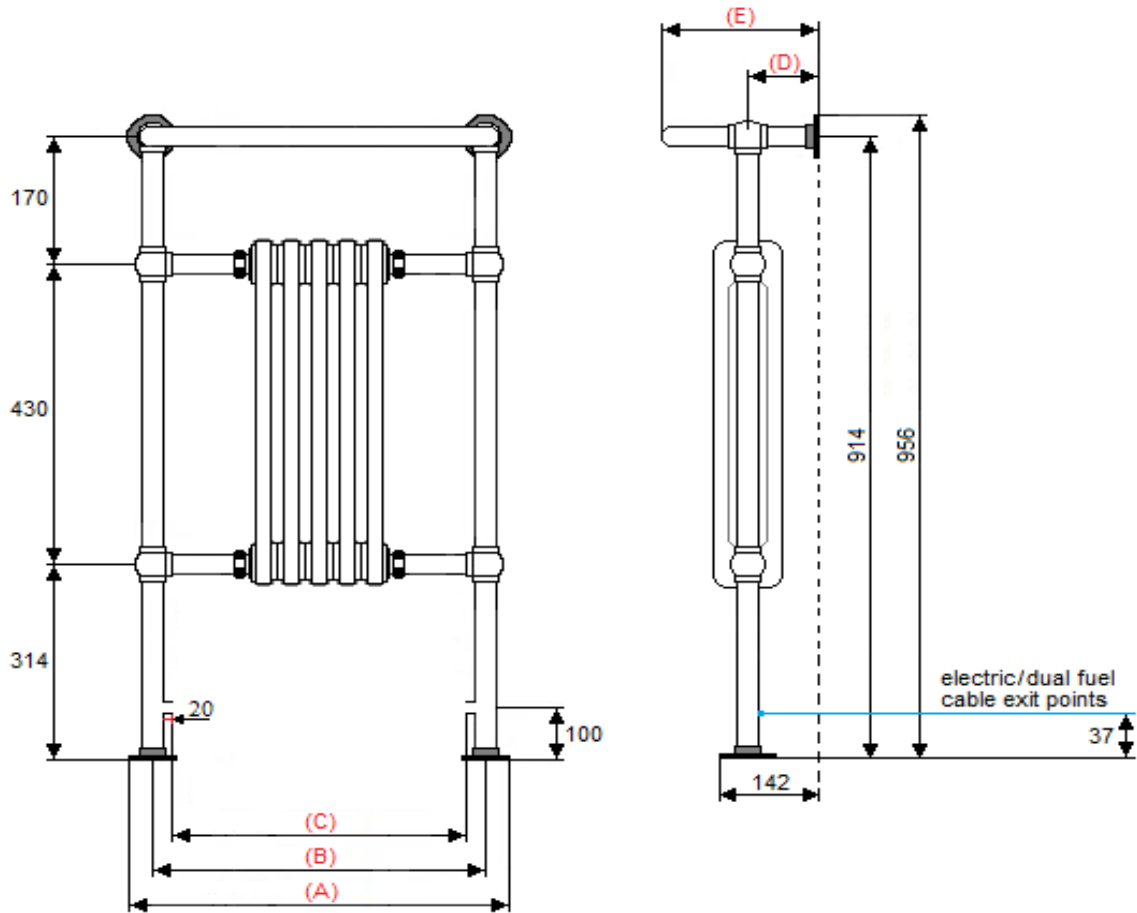
5°C	0.050		
10°C	0.123	10°F	0.057
15°C	0.209	20°F	0.142
20°C	0.304	30°F	0.240
25°C	0.406	40°F	0.348
30°C	0.515	50°F	0.466
35°C	0.629	60°F	0.590
40°C	0.748	70°F	0.721
45°C	0.872	80°F	0.858
50°C	1.000	90°F	1.000
55°C	1.132	100°F	1.147
60°C	1.267	110°F	1.298
65°C	1.406	120°F	1.454
70°C	1.549	130°F	1.613
75°C	1.694	140°F	1.776

TO APPLY THE FACTORS SHOWN IN THE TABLE TO OUR QUOTED OUTPUTS MULTIPLY THE QUOTED OUTPUT BY THE CHOSEN OPERATING FACTOR TO GIVE THE OUTPUT

Please note: These towel rails are handmade and therefore subject to a tolerance of +/- 6mm on all measurements

This drawing: Is the property of Apollo Radiators Ltd and may not be reproduced or transmitted to third parties without authorisation

APOLLO ravenna plus CR technical specification



RAVENNA PLUS CR DIMENSIONS (mm)						
Model code			CR4	CR6	CR8	CR10
Width of radiator		(A)	509	694	846	998
Model height				956		
Pipe centres	Width	(B)	425	610	762	914
	Depth	(D)		100		
Depth of rail		(E)		240		
No. of sections in insert			5	8	11	14
Tapping centres	Inward	(C)	353	538	690	842
Bracket positions			wall/floor plates			
Tappings			1/2"			

RAVENNA PLUS CR WEIGHTS AND VOLUMES (per radiator)					
Model width (mm)		509	694	846	998
Dry weight (A) Kg		11.44	15.54	19.56	24.80
Water content (B) Litres		6.31	8.98	11.57	14.17
Working weight (A+B) Kg		17.75	24.52	31.13	38.97
Outputs: Watts $\Delta T=50k$		645	985	1328	1666

The thermal outputs expressed at $\Delta T=50k$ comply with European regulation EN 442-2

ADDITIONAL INFORMATION	
Material	Brass (DZR)
Alloy thickness	1 - 1.6mm
Tube diameter	31.8mm
Maximum working pressure	3 bar/300 kPa
Maximum working temperature	85°C
Maximum testing pressure	6 bar/600 kPa

DUAL FUEL/ELECTRIC INFORMATION (where applicable)				
Position of cable exit point	Back of leg			
Distance from floor to cable exit point	37mm			
Element	300W	300W	400W	400W

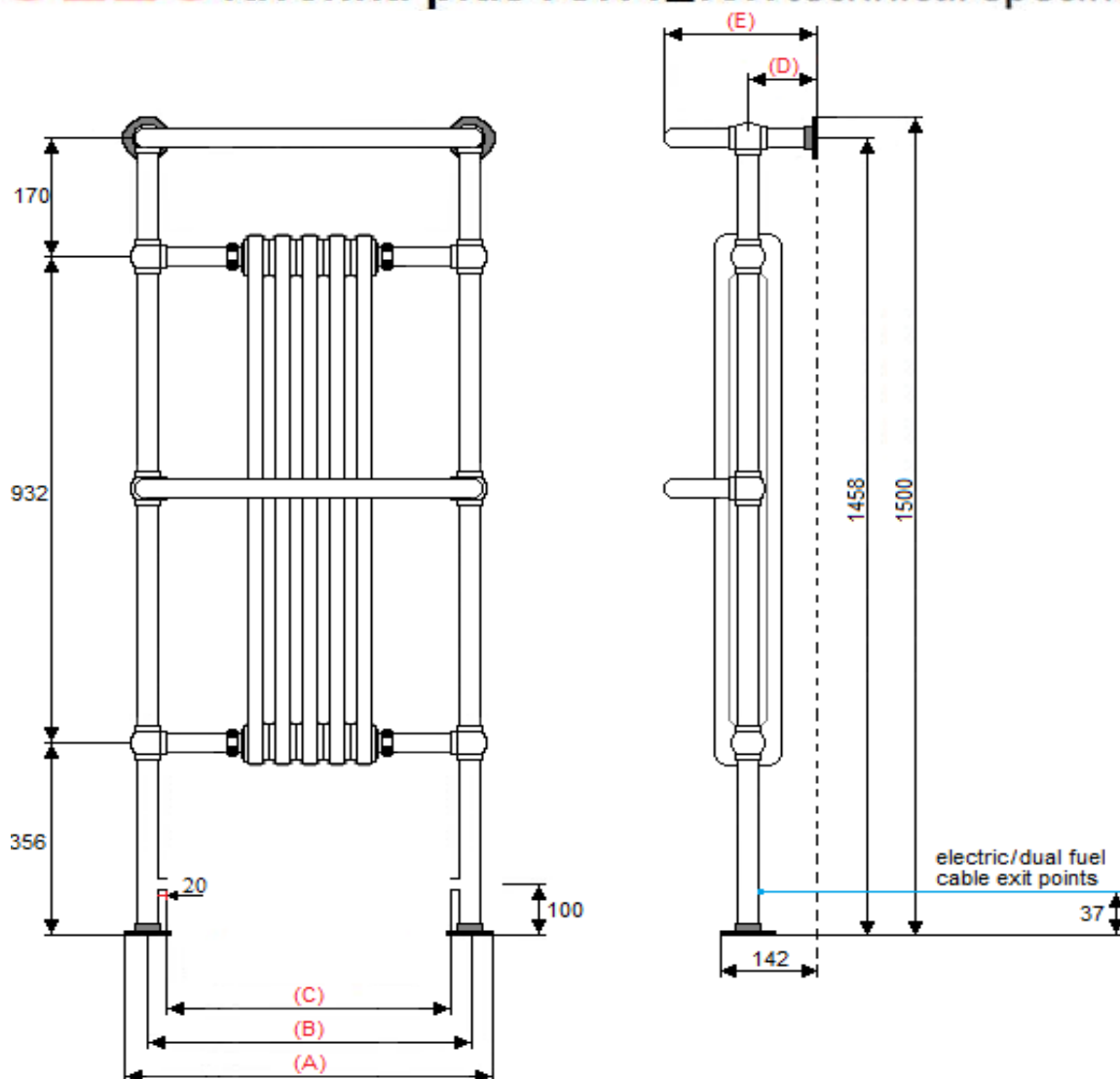
TEMPERATURE FACTORS FOR DIFFERENCES BETWEEN MEAN WATER TEMPERATURE AND ROOM TEMPERATURE IN °C AND °F OTHER THAN 50°C (90°F)			
5°C	0.050	10°F	0.057
10°C	0.123	20°F	0.142
15°C	0.209	30°F	0.240
20°C	0.304	40°F	0.348
25°C	0.406	50°F	0.466
30°C	0.515	60°F	0.590
35°C	0.629	70°F	0.721
40°C	0.748	80°F	0.858
45°C	0.872	90°F	1.000
50°C	1.000	100°F	1.147
55°C	1.132	110°F	1.298
60°C	1.267	120°F	1.454
65°C	1.406	130°F	1.613
70°C	1.549	140°F	1.776
75°C	1.694		

TO APPLY THE FACTORS SHOWN IN THE TABLE TO OUR QUOTED OUTPUTS MULTIPLY THE QUOTED OUTPUT BY THE CHOSEN OPERATING FACTOR TO GIVE THE OUTPUT

Please note: These towel rails are handmade and therefore subject to a tolerance of +/- 6mm on all measurements

This drawing: Is the property of Apollo Radiators Ltd and may not be reproduced or transmitted to third parties without authorisation

APOLLO ravenna plus TCR4_15H technical specification



RAVENNA PLUS TCR4_15H DIMENSIONS (mm)

Model code			TCR4_15H
Width of radiator		(A)	509
Model height			1500
Pipe centres	Width	(B)	425
	Depth	(D)	100
Depth of rail		(E)	240
No. of sections in insert			5
Tapping centres	Inward	(C)	353
Bracket positions			wall/floor plates
Tappings			1/2"

RAVENNA PLUS TCR4_15H WEIGHTS AND VOLUMES (per radiator)

Model width (mm)	509
Dry weight (A) Kg	19.98
Water content (B) Litres	11.71
Working weight (A+B) Kg	31.69
Outputs: Watts $\Delta T=50k$	1120

The thermal outputs expressed at $\Delta T=50k$ comply with European regulation EN 442-2

ADDITIONAL INFORMATION

Material	Brass (DZR)
Alloy thickness	1 - 1.6mm
Tube diameter	31.8mm
Maximum working pressure	3 bar/300 kPa
Maximum working temperature	85°C
Maximum testing pressure	6 bar/600 kPa

DUAL FUEL/ELECTRIC INFORMATION (where applicable)

Position of cable exit point	Back of leg
Distance from floor to cable exit point	37mm
Element	400W

TEMPERATURE

FACTORS FOR DIFFERENCES BETWEEN MEAN WATER TEMPERATURE AND ROOM TEMPERATURE IN °C AND °F OTHER THAN 50°C (90°F)

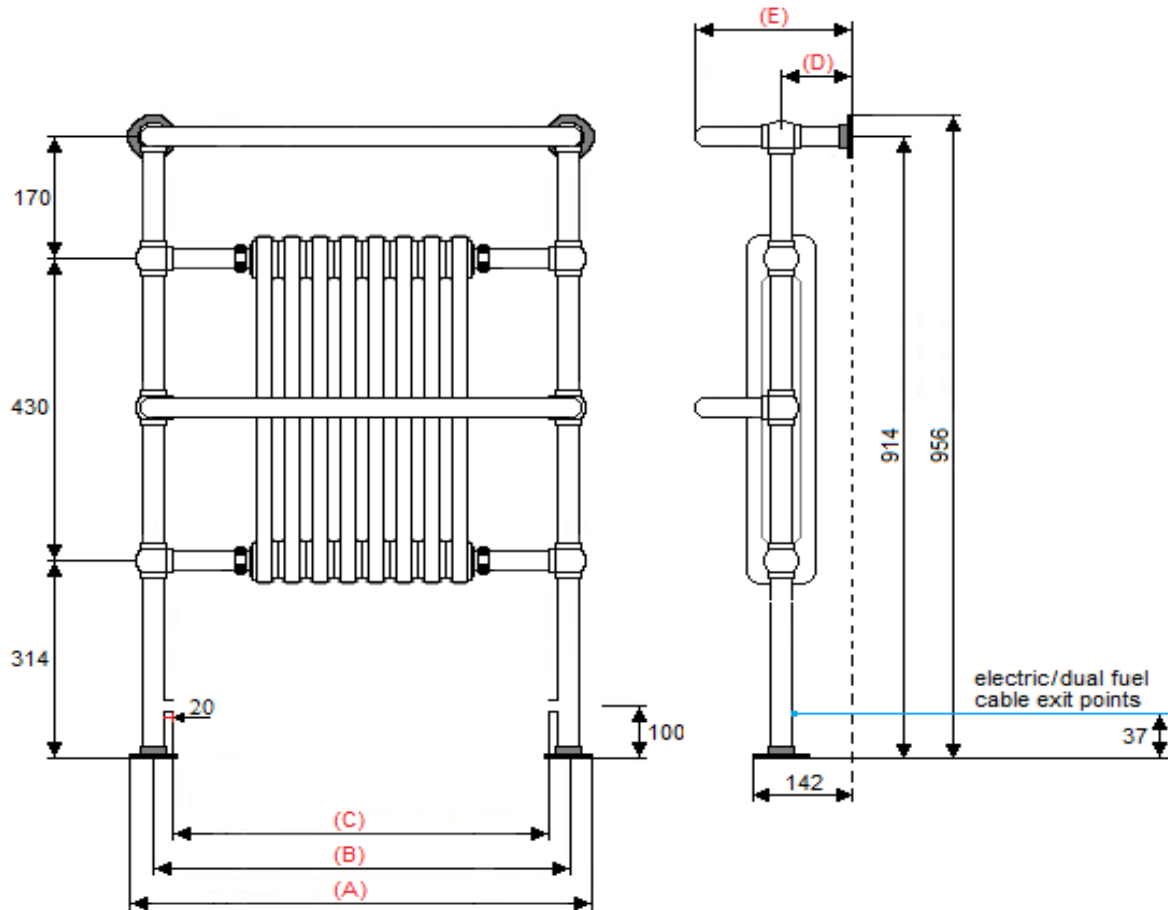
5°C	0.050	10°F	0.057
10°C	0.123	20°F	0.142
15°C	0.209	30°F	0.240
20°C	0.304	40°F	0.348
25°C	0.406	50°F	0.466
30°C	0.515	60°F	0.590
35°C	0.629	70°F	0.721
40°C	0.748	80°F	0.858
45°C	0.872	90°F	1.000
50°C	1.000	100°F	1.147
55°C	1.132	110°F	1.298
60°C	1.267	120°F	1.454
65°C	1.406	130°F	1.613
70°C	1.549	140°F	1.776
75°C	1.694		

TO APPLY THE FACTORS SHOWN IN THE TABLE TO OUR QUOTED OUTPUTS MULTIPLY THE QUOTED OUTPUT BY THE CHOSEN OPERATING FACTOR TO GIVE THE OUTPUT

Please note: These towel rails are handmade and therefore subject to a tolerance of +/- 6mm on all measurements

This drawing: Is the property of Apollo Radiators Ltd and may not be reproduced or transmitted to third parties without authorisation

APOLLO ravenna plus TCR6 technical specification



RAVENNA PLUS TCR6 DIMENSIONS (mm)

Model code			TCR6
Width of radiator		(A)	694
Model height			956
Pipe centres	Width	(B)	610
	Depth	(D)	100
Depth of rail		(E)	240
No. of sections in insert			8
Tapping centres	Inward	(C)	538
Bracket positions			wall/floor plates
Tappings			1/2"

RAVENNA PLUS TCR6 WEIGHTS AND VOLUMES (per radiator)

Model width (mm)	694
Dry weight (A) Kg	16.78
Water content (B) Litres	9.60
Working weight (A+B) Kg	26.38
Outputs: Watts $\Delta T=50k$	1025

The thermal outputs expressed at $\Delta T=50k$ comply with European regulation EN 442-2

ADDITIONAL INFORMATION

Material	Brass (DZR)
Alloy thickness	1 - 1.6mm
Tube diameter	31.8mm
Maximum working pressure	3 bar/300 kPa
Maximum working temperature	85°C
Maximum testing pressure	6 bar/600 kPa

DUAL FUEL/ELECTRIC INFORMATION (where applicable)

Position of cable exit point	Back of leg
Distance from floor to cable exit point	37mm
Element	300W

TEMPERATURE

FACTORS FOR DIFFERENCES BETWEEN MEAN WATER TEMPERATURE AND ROOM TEMPERATURE IN °C AND °F OTHER THAN 50°C (90°F)

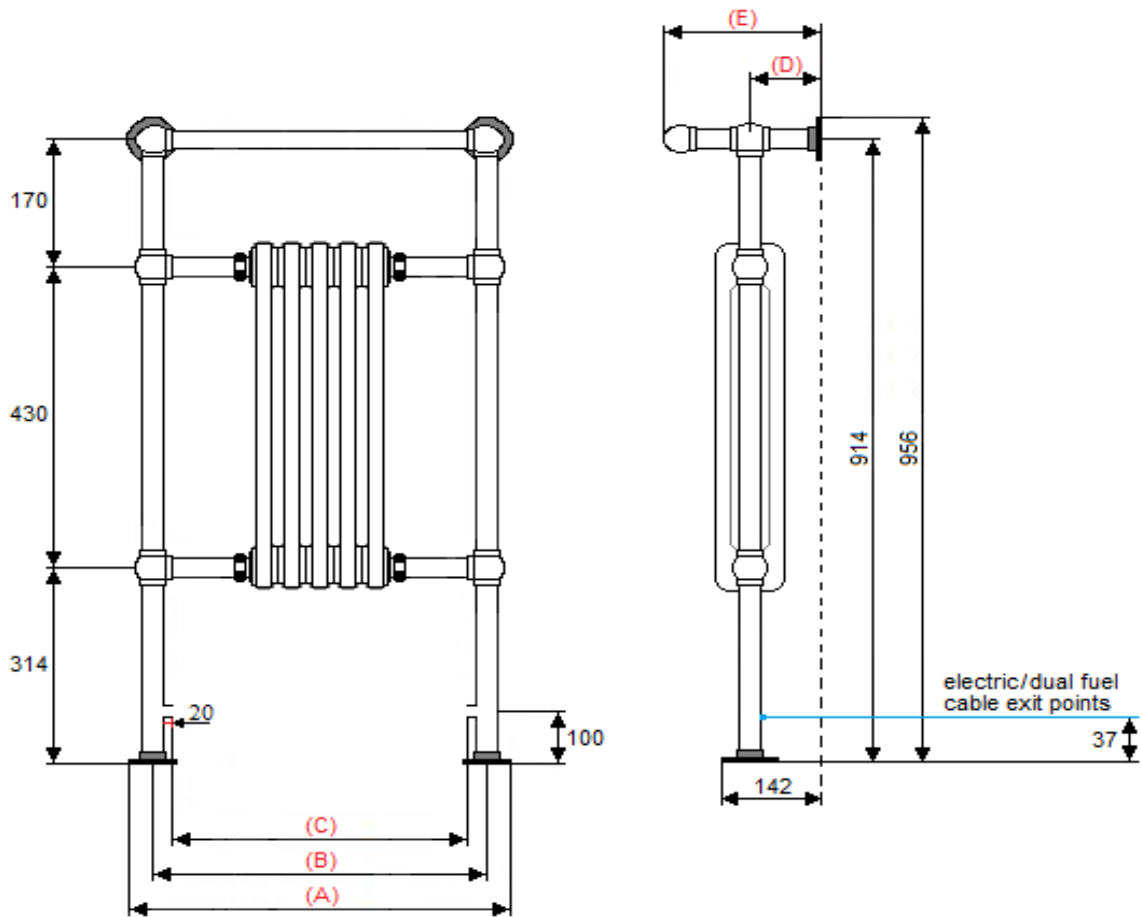
5°C	0.050	10°F	0.057
10°C	0.123	20°F	0.142
15°C	0.209	30°F	0.240
20°C	0.304	40°F	0.348
25°C	0.406	50°F	0.466
30°C	0.515	60°F	0.590
35°C	0.629	70°F	0.721
40°C	0.748	80°F	0.858
45°C	0.872	90°F	1.000
50°C	1.000	100°F	1.147
55°C	1.132	110°F	1.298
60°C	1.267	120°F	1.454
65°C	1.406	130°F	1.613
70°C	1.549	140°F	1.776
75°C	1.694		

TO APPLY THE FACTORS SHOWN IN THE TABLE TO OUR QUOTED OUTPUTS MULTIPLY THE QUOTED OUTPUT BY THE CHOSEN OPERATING FACTOR TO GIVE THE OUTPUT

Please note: These towel rails are handmade and therefore subject to a tolerance of +/- 6mm on all measurements

This drawing: Is the property of Apollo Radiators Ltd and may not be reproduced or transmitted to third parties without authorisation

APOLLO ravenna plus BJR technical specification



RAVENNA PLUS BJR DIMENSIONS (mm)				
Model code			BJR4	BJR6
Width of radiator		(A)	509	694
Model height				956
Pipe centres	Width	(B)	425	610
	Depth	(D)		100
Depth of rail		(E)		240
No. of sections in insert			5	8
Tapping centres	Inward	(C)	353	538
Bracket positions			wall/floor plates	
Tappings			1/2"	

RAVENNA PLUS BJR WEIGHTS AND VOLUMES (per radiator)			
Model width (mm)		509	694
Dry weight (A) Kg		11.87	15.98
Water content (B) Litres		6.31	8.98
Working weight (A+B) Kg		18.18	24.96
Outputs: Watts $\Delta T=50k$		645	985

The thermal outputs expressed at $\Delta T=50k$ comply with European regulation EN 442-2

ADDITIONAL INFORMATION	
Material	Brass (DZR)
Alloy thickness	1 - 1.6mm
Tube diameter	31.8mm
Maximum working pressure	3 bar/300 kPa
Maximum working temperature	85°C
Maximum testing pressure	6 bar/600 kPa

DUAL FUEL/ELECTRIC INFORMATION (where applicable)	
Position of cable exit point	Back of leg
Distance from floor to cable exit point	37mm
Element	300W

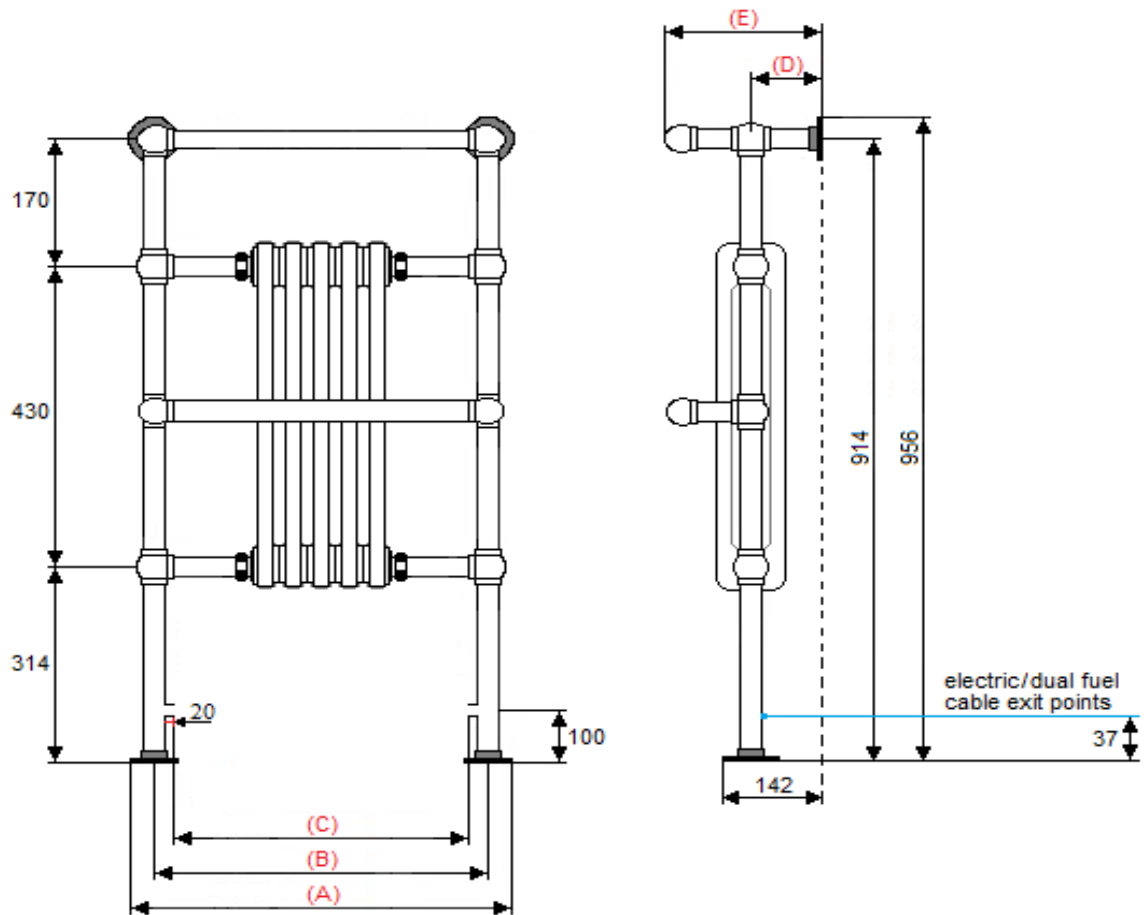
TEMPERATURE FACTORS FOR DIFFERENCES BETWEEN MEAN WATER TEMPERATURE AND ROOM TEMPERATURE IN °C AND °F OTHER THAN 50°C (90°F)			
5°C	0.050		
10°C	0.123	10°F	0.057
15°C	0.209	20°F	0.142
20°C	0.304	30°F	0.240
25°C	0.406	40°F	0.348
30°C	0.515	50°F	0.466
35°C	0.629	60°F	0.590
40°C	0.748	70°F	0.721
45°C	0.872	80°F	0.858
50°C	1.000	90°F	1.000
55°C	1.132	100°F	1.147
60°C	1.267	110°F	1.298
65°C	1.406	120°F	1.454
70°C	1.549	130°F	1.613
75°C	1.694	140°F	1.776

TO APPLY THE FACTORS SHOWN IN THE TABLE TO OUR QUOTED OUTPUTS MULTIPLY THE QUOTED OUTPUT BY THE CHOSEN OPERATING FACTOR TO GIVE THE OUTPUT

Please note: These towel rails are handmade and therefore subject to a tolerance of +/- 6mm on all measurements

This drawing: Is the property of Apollo Radiators Ltd and may not be reproduced or transmitted to third parties without authorisation

APOLLO ravenna plus TBJR technical specification



RAVENNA PLUS TBJR DIMENSIONS (mm)			
Model code		TBJR4	TBJR6
Width of radiator	(A)	509	694
Model height			956
Pipe centres	Width	(B)	425
	Depth	(D)	100
Depth of rail	(E)		240
No. of sections in insert		5	8
Tapping centres	Inward	(C)	353
Bracket positions			wall/floor plates
Tappings			1/2"

RAVENNA PLUS TBJR WEIGHTS AND VOLUMES (per radiator)		
Model width (mm)		509
Dry weight (A) Kg		13.36
Water content (B) Litres		6.80
Working weight (A+B) Kg		20.16
Outputs: Watts $\Delta T=50k$		670

The thermal outputs expressed at $\Delta T=50k$ comply with European regulation EN 442-2

ADDITIONAL INFORMATION	
Material	Brass (DZR)
Alloy thickness	1 - 1.6mm
Tube diameter	31.8mm
Maximum working pressure	3 bar/300 kPa
Maximum working temperature	85°C
Maximum testing pressure	6 bar/600 kPa

DUAL FUEL/ELECTRIC INFORMATION (where applicable)	
Position of cable exit point	Back of leg
Distance from floor to cable exit point	37mm
Element	300W

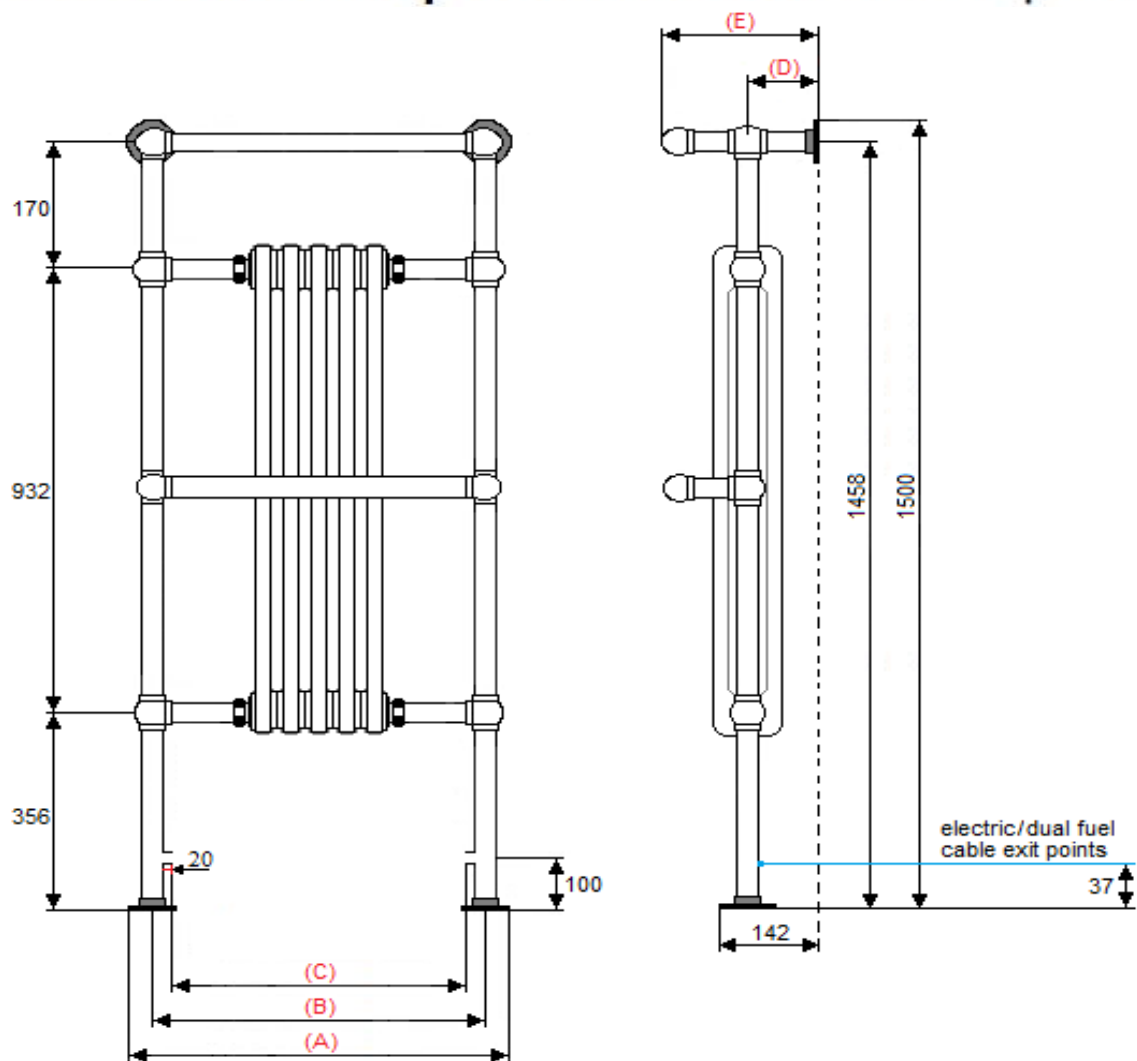
TEMPERATURE FACTORS FOR DIFFERENCES BETWEEN MEAN WATER TEMPERATURE AND ROOM TEMPERATURE IN °C AND °F OTHER THAN 50°C (90°F)			
5°C	0.050		
10°C	0.123	10°F	0.057
15°C	0.209	20°F	0.142
20°C	0.304	30°F	0.240
25°C	0.406	40°F	0.348
30°C	0.515	50°F	0.466
35°C	0.629	60°F	0.590
40°C	0.748	70°F	0.721
45°C	0.872	80°F	0.858
50°C	1.000	90°F	1.000
55°C	1.132	100°F	1.147
60°C	1.267	110°F	1.298
65°C	1.406	120°F	1.454
70°C	1.549	130°F	1.613
75°C	1.694	140°F	1.776

TO APPLY THE FACTORS SHOWN IN THE TABLE TO OUR QUOTED OUTPUTS MULTIPLY THE QUOTED OUTPUT BY THE CHOSEN OPERATING FACTOR TO GIVE THE OUTPUT

Please note: These towel rails are handmade and therefore subject to a tolerance of +/- 6mm on all measurements

This drawing: Is the property of Apollo Radiators Ltd and may not be reproduced or transmitted to third parties without authorisation

APOLLO ravenna plus TBJR4_15H technical specification



RAVENNA PLUS TBJR4_15H DIMENSIONS (mm)

		TBJR4_15H	
Model code		TBJR4_15H	
Width of radiator	(A)	509	
Model height		1500	
Pipe centres	Width	(B)	425
	Depth	(D)	100
Depth of rail		(E)	240
No. of sections in insert		5	
Tapping centres	Inward	(C)	353
Bracket positions		wall/floor plates	
Tappings		1/2"	

TEMPERATURE FACTORS FOR DIFFERENCES BETWEEN MEAN WATER TEMPERATURE AND ROOM TEMPERATURE IN °C AND °F OTHER THAN 50°C (90°F)

5°C	0.050	10°F	0.057
10°C	0.123	20°F	0.142
15°C	0.209	30°F	0.240
20°C	0.304	40°F	0.348
25°C	0.406	50°F	0.466
30°C	0.515	60°F	0.590
35°C	0.629	70°F	0.721
40°C	0.748	80°F	0.858
45°C	0.872	90°F	1.000
50°C	1.000	100°F	1.147
55°C	1.132	110°F	1.298
60°C	1.267	120°F	1.454
65°C	1.406	130°F	1.613
70°C	1.549	140°F	1.776
75°C	1.694		

RAVENNA PLUS TCR4_15H WEIGHTS AND VOLUMES (per radiator)		
Model width (mm)		509
Dry weight (A) Kg		20.73
Water content (B) Litres		11.71
Working weight (A+B) Kg		32.44
Outputs: Watts ΔT=50k		1120

The thermal outputs expressed at ΔT=50k comply with European regulation EN 442-2

ADDITIONAL INFORMATION	
Material	Brass (DZR)
Alloy thickness	1 - 1.6mm
Tube diameter	31.8mm
Maximum working pressure	3 bar/300 kPa
Maximum working temperature	85°C
Maximum testing pressure	6 bar/600 kPa

DUAL FUEL/ELECTRIC INFORMATION (where applicable)	
Position of cable exit point	Back of leg
Distance from floor to cable exit point	37mm
Element	400W

TO APPLY THE FACTORS SHOWN IN THE TABLE TO OUR QUOTED OUTPUTS MULTIPLY THE QUOTED OUTPUT BY THE CHOSEN OPERATING FACTOR TO GIVE THE OUTPUT

Please note: These towel rails are handmade and therefore subject to a tolerance of +/- 6mm on all measurements

This drawing: Is the property of Apollo Radiators Ltd and may not be reproduced or transmitted to third parties without authorisation